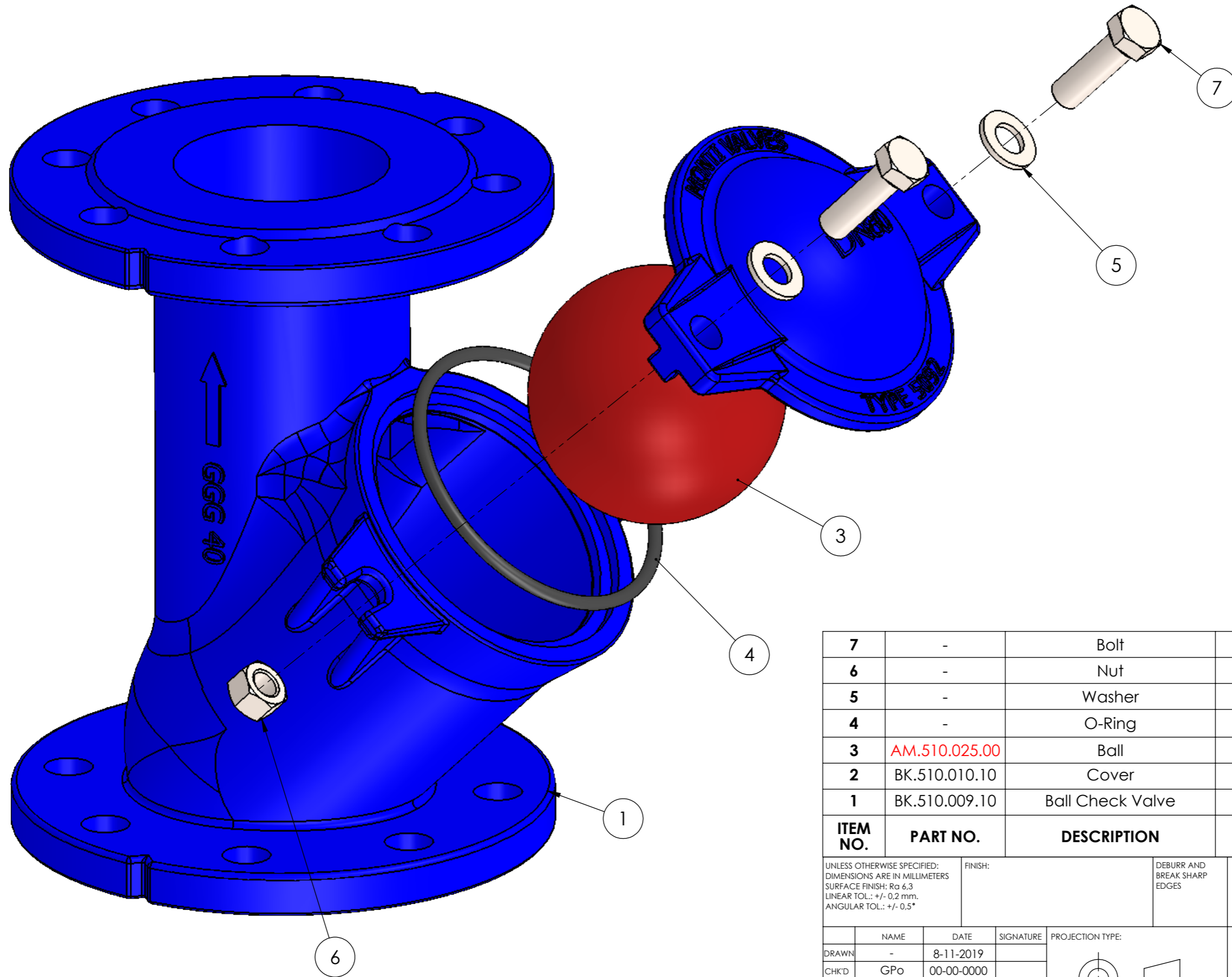


UNLESS OTHERWISE SPECIFIED: DIMENSIONS ARE IN MILLIMETERS SURFACE FINISH: Ra 6,3 LINEAR TOL.: +/- 0,2 mm. ANGULAR TOL.: +/- 0,5°				FINISH:	DEBURR AND BREAK SHARP EDGES	TITLE: Ball Valve Type 5092 DN80 - GGG 40																													
<table border="1"> <thead> <tr> <th></th> <th>NAME</th> <th>DATE</th> <th>SIGNATURE</th> </tr> </thead> <tbody> <tr> <td>DRAWN</td> <td>-</td> <td>8-11-2019</td> <td></td> </tr> <tr> <td>CHK'D</td> <td>GPo</td> <td>00-00-0000</td> <td></td> </tr> <tr> <td>APPV'D</td> <td>GPo</td> <td>00-00-0000</td> <td></td> </tr> <tr> <td>MFG</td> <td>-</td> <td>-</td> <td></td> </tr> <tr> <td>Q.A</td> <td>-</td> <td>-</td> <td></td> </tr> <tr> <td></td> <td>Last saved</td> <td>12-12-2019</td> <td></td> </tr> </tbody> </table>					NAME	DATE	SIGNATURE	DRAWN	-	8-11-2019		CHK'D	GPo	00-00-0000		APPV'D	GPo	00-00-0000		MFG	-	-		Q.A	-	-			Last saved	12-12-2019		PROJECTION TYPE: 			
	NAME	DATE	SIGNATURE																																
DRAWN	-	8-11-2019																																	
CHK'D	GPo	00-00-0000																																	
APPV'D	GPo	00-00-0000																																	
MFG	-	-																																	
Q.A	-	-																																	
	Last saved	12-12-2019																																	
PROJECT NAME: -				MATERIAL:		Oostgouweweg 5 2407 AD Alphen a/d Rijn The Netherlands Phone: (+31)172 - 494965 Fax: (+31)172 - 494969																													
				MASS: 2,16 kg		DWG NO. BK.500.004.00 A3																													
				SCALE:1:3 DO NOT SCALE DRAWING		REV. 0 SHEET 1 OF 2																													

File name: S:\BouwGroep\500.kleppen\BK - balkeerlep\BK - balkeerlep\BK.500.004.00 - Montivaive Balkeerlep DN80\BK.500.004.00



ITEM NO.	PART NO.	DESCRIPTION	REMARK	MATERIAL	QTY
7	-	Bolt		AISI 316L	2
6	-	Nut		AISI 316L	2
5	-	Washer		AISI 316L	2
4	-	O-Ring		NBR 70	1
3	AM.510.025.00	Ball		NBR	1
2	BK.510.010.10	Cover		GGG 40	1
1	BK.510.009.10	Ball Check Valve		GGG 40	1

UNLESS OTHERWISE SPECIFIED:
 DIMENSIONS ARE IN MILLIMETERS
 SURFACE FINISH: Ra 6.3
 LINEAR TOL.: +/- 0.2 mm.
 ANGULAR TOL.: +/- 0.5°

FINISH:

DEBURR AND BREAK SHARP EDGES

TITLE: **Ball Valve**
Type 5092 DN80 - GGG 40

NAME	DATE	SIGNATURE	PROJECTION TYPE:
DRAWN -	8-11-2019		
CHK'D GPo	00-00-0000		
APPV'D GPo	00-00-0000		
MFG -	-		
Q.A -	-		
Last saved	12-12-2019		

MATERIAL:

MASS: 2,16 kg

Oostgouweweg 5
 2407 AD Alphen a/d Rijn
 The Netherlands
 Phone: (+31)172 - 494965
 Fax: (+31)172 - 494969

DWG NO. **BK.500.004.00**

SCALE: 1:2 DO NOT SCALE DRAWING

A3

REV. 0

SHEET 2 OF 2

File name: S:\BouwGroep\500.kleppen\BK - balkeerlep\BK.500.004.00 - Montivaive Balkeerlep DN80\BK.500.004.00