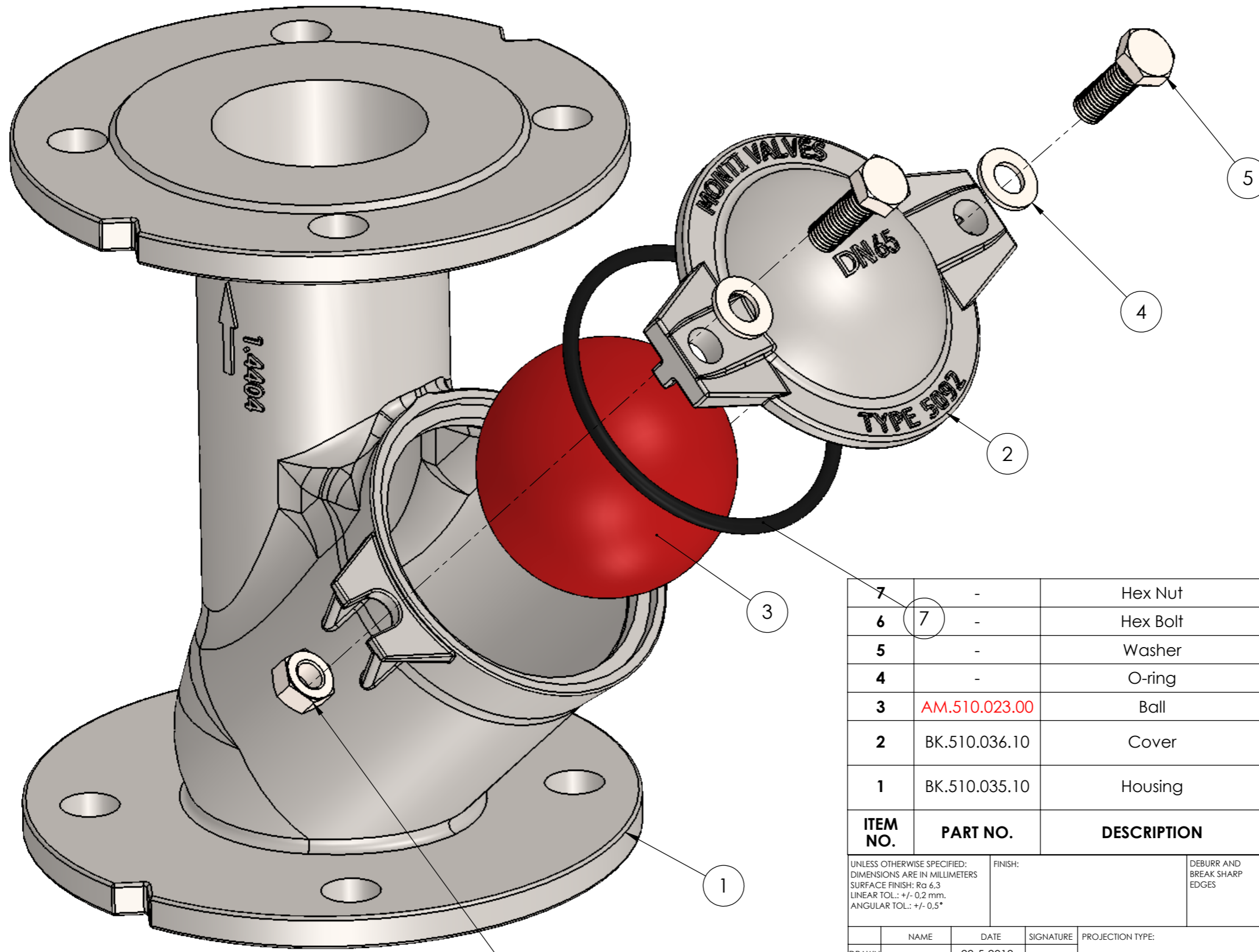


UNLESS OTHERWISE SPECIFIED: DIMENSIONS ARE IN MILLIMETERS SURFACE FINISH: Ra 6,3 LINEAR TOL.: +/- 0,2 mm. ANGULAR TOL.: +/- 0,5°				FINISH:	DEBURR AND BREAK SHARP EDGES	TITLE: Ball Valve Type 5092 DN 65 - AISI 316L																													
<table border="1"> <thead> <tr> <th></th> <th>NAME</th> <th>DATE</th> <th>SIGNATURE</th> </tr> </thead> <tbody> <tr> <td>DRAWN</td> <td>-</td> <td>29-5-2019</td> <td></td> </tr> <tr> <td>CHK'D</td> <td>GPo</td> <td>00-00-0000</td> <td></td> </tr> <tr> <td>APPV'D</td> <td></td> <td>00-00-0000</td> <td></td> </tr> <tr> <td>MFG</td> <td>-</td> <td>-</td> <td></td> </tr> <tr> <td>Q.A</td> <td>-</td> <td>-</td> <td></td> </tr> <tr> <td></td> <td>Last saved</td> <td>10-12-2019</td> <td></td> </tr> </tbody> </table>					NAME	DATE	SIGNATURE	DRAWN	-	29-5-2019		CHK'D	GPo	00-00-0000		APPV'D		00-00-0000		MFG	-	-		Q.A	-	-			Last saved	10-12-2019				<p>Oostgouweweg 5 2407 AD Alphen a/d Rijn The Netherlands Phone: (+31)172 - 494965 Fax: (+31)172 - 494969</p>	
	NAME	DATE	SIGNATURE																																
DRAWN	-	29-5-2019																																	
CHK'D	GPo	00-00-0000																																	
APPV'D		00-00-0000																																	
MFG	-	-																																	
Q.A	-	-																																	
	Last saved	10-12-2019																																	
PROJECT NAME: -				MATERIAL:		DWG NO. BK.500.015.00																													
				MASS: 9,43 kg		SCALE:1:2,5 DO NOT SCALE DRAWING																													
						A3																													
						REV. 0																													
						SHEET 1 OF 2																													

File name: S:\BouwGroep\500.kleppen\BK - balkeerlep\BK - balkeerlep\BK.500.015.00 - Montivalve Balkeerlep DN65\BK.500.015.00




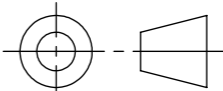
7	-	Hex Nut	M10 DIN 934	AISI 316L	2
6	7	Hex Bolt	M10 DIN 931	AISI 316L	2
5	-	Washer	DIN 125 - A 10.5	AISI 316L	2
4	-	O-ring	Ø88x4,5	NBR 70	1
3	AM.510.023.00	Ball	Ø78	NBR	1
2	BK.510.036.10	Cover	Type 5092 DN65	AISI 316L	1
1	BK.510.035.10	Housing	Type 5092 DN65	AISI 316L	1
ITEM NO.	PART NO.	DESCRIPTION	REMARK	MATERIAL	QTY

UNLESS OTHERWISE SPECIFIED:
 DIMENSIONS ARE IN MILLIMETERS
 SURFACE FINISH: Ra 6,3
 LINEAR TOL.: +/- 0,2 mm.
 ANGULAR TOL.: +/- 0,5°

FINISH:

DEBURR AND BREAK SHARP EDGES

TITLE: **Ball Valve**
 Type 5092 DN 65 - AISI 316L

NAME	DATE	SIGNATURE	PROJECTION TYPE:	 <p>Oostgouweweg 5 2407 AD Alphen a/d Rijn The Netherlands Phone: (+31)172 - 494965 Fax: (+31)172 - 494969</p>
DRAWN	-	29-5-2019		
CHK'D	GPo	00-00-0000		
APPV'D	-	00-00-0000	MATERIAL:	
MFG	-	-		
Q.A	-	-	DWG NO. BK.500.015.00	
Last saved 10-12-2019			MASS: 9,43 kg	A3
PROJECT NAME:			SCALE:1:3,5 DO NOT SCALE DRAWING	REV. 0
			SHEET 2 OF 2	

File name: S:\BouwGroep\500.kleppen\BK - balkeerlep\BK.500.015.00 - Montivaive Balkeerlep DN65\BK.500.015.00