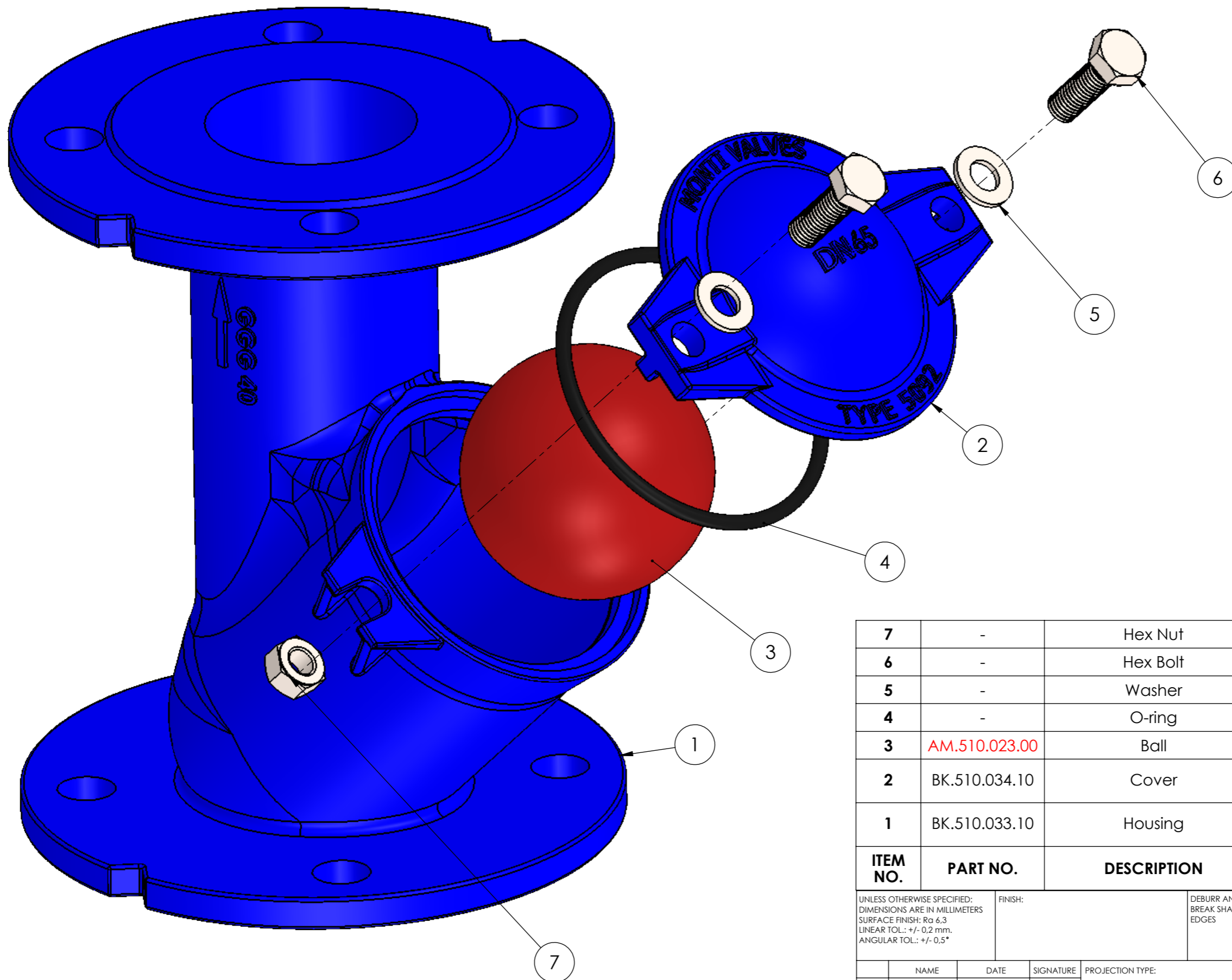


UNLESS OTHERWISE SPECIFIED: DIMENSIONS ARE IN MILLIMETERS SURFACE FINISH: Ra 6,3 LINEAR TOL.: +/- 0,2 mm. ANGULAR TOL.: +/- 0,5°				FINISH:	DEBURR AND BREAK SHARP EDGES	TITLE: <b>Ball Valve</b> Type 5092 DN 65 - GGG 40	
DRAWN: - CHK'D: GPo APPV'D: MFG: - Q.A: - Last saved				DATE: 29-5-2019 00-00-0000 00-00-0000 - - 10-12-2019	SIGNATURE:	PROJECTION TYPE: 	 Oostgouweweg 5 2407 AD Alphen a/d Rijn The Netherlands Phone: (+31)172 - 494965 Fax: (+31)172 - 494969
PROJECT NAME: -				MASS: 2,97 kg	MATERIAL:		
						SCALE: 1:2,5	DO NOT SCALE DRAWING
						REV. 0	A3 SHEET 1 OF 2

File name: S:\BouwGroep\500.kleppen\BK - balkeerlep\BK.500.014.00 - Montivaive Balkeerlep DN65\BK.500.014.00



7	-	Hex Nut	M10 DIN 934	AISI 316L	2
6	-	Hex Bolt	M10 DIN 931	AISI 316L	2
5	-	Washer	DIN 125 - A 10.5	AISI 316L	2
4	-	O-ring	Ø88x4,5	NBR 70	1
3	AM.510.023.00	Ball	Ø78	NBR	1
2	BK.510.034.10	Cover	Type 5092 DN65	GGG 40	1
1	BK.510.033.10	Housing	Type 5092 DN65	GGG 40	1
ITEM NO.	PART NO.	DESCRIPTION	REMARK	MATERIAL	QTY

UNLESS OTHERWISE SPECIFIED:  
 DIMENSIONS ARE IN MILLIMETERS  
 SURFACE FINISH: Ra 6,3  
 LINEAR TOL.: +/- 0,2 mm.  
 ANGULAR TOL.: +/- 0,5°

FINISH:

DEBURR AND BREAK SHARP EDGES

TITLE: **Ball Valve**  
 Type 5092 DN 65 - GGG 40

NAME	DATE	SIGNATURE	PROJECTION TYPE:	MATERIAL:	DWG NO.	REV.
DRAWN	-	29-5-2019			BK.500.014.00	0
CHK'D	GPo	00-00-0000				
APPV'D		00-00-0000				
MFG	-	-				
Q.A	-	-				
	Last saved	10-12-2019				
PROJECT NAME:						
			MASS: 2,97 kg		SCALE:1:3.5	DO NOT SCALE DRAWING



Oostgouweweg 5  
 2407 AD Alphen a/d Rijn  
 The Netherlands  
 Phone: (+31)172 - 494965  
 Fax: (+31)172 - 494969

File name: S:\BouwGroep\500.kleppen\BK - balkeerlep\BK.500.014.00 - Montivaive Balkeerlep DN65\BK.500.014.00