

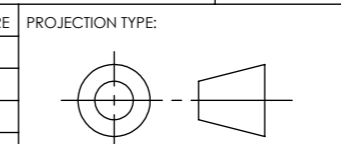
UNLESS OTHERWISE SPECIFIED:  
DIMENSIONS ARE IN MILLIMETERS  
SURFACE FINISH: Ra 6,3  
LINEAR TOL.: +/- 0,2 mm.  
ANGULAR TOL.: +/- 0,5°

FINISH:

DEBURR AND  
BREAK SHARP  
EDGES

TITLE: **Ball Valve**  
Type 5092 DN 50 - AISI 316L

	NAME	DATE	SIGNATURE
DRAWN	SLU	9-6-2016	
CHK'D	GPo	28-3-2017	
APPV'D	GPo	28-3-2017	
MFG	-	-	
Q.A	-	-	
	Last saved	14-11-2019	



MATERIAL:  
**Misc.**

PROJECT NAME:  
Ball checkvalve TYPE 5092 TH DN 50

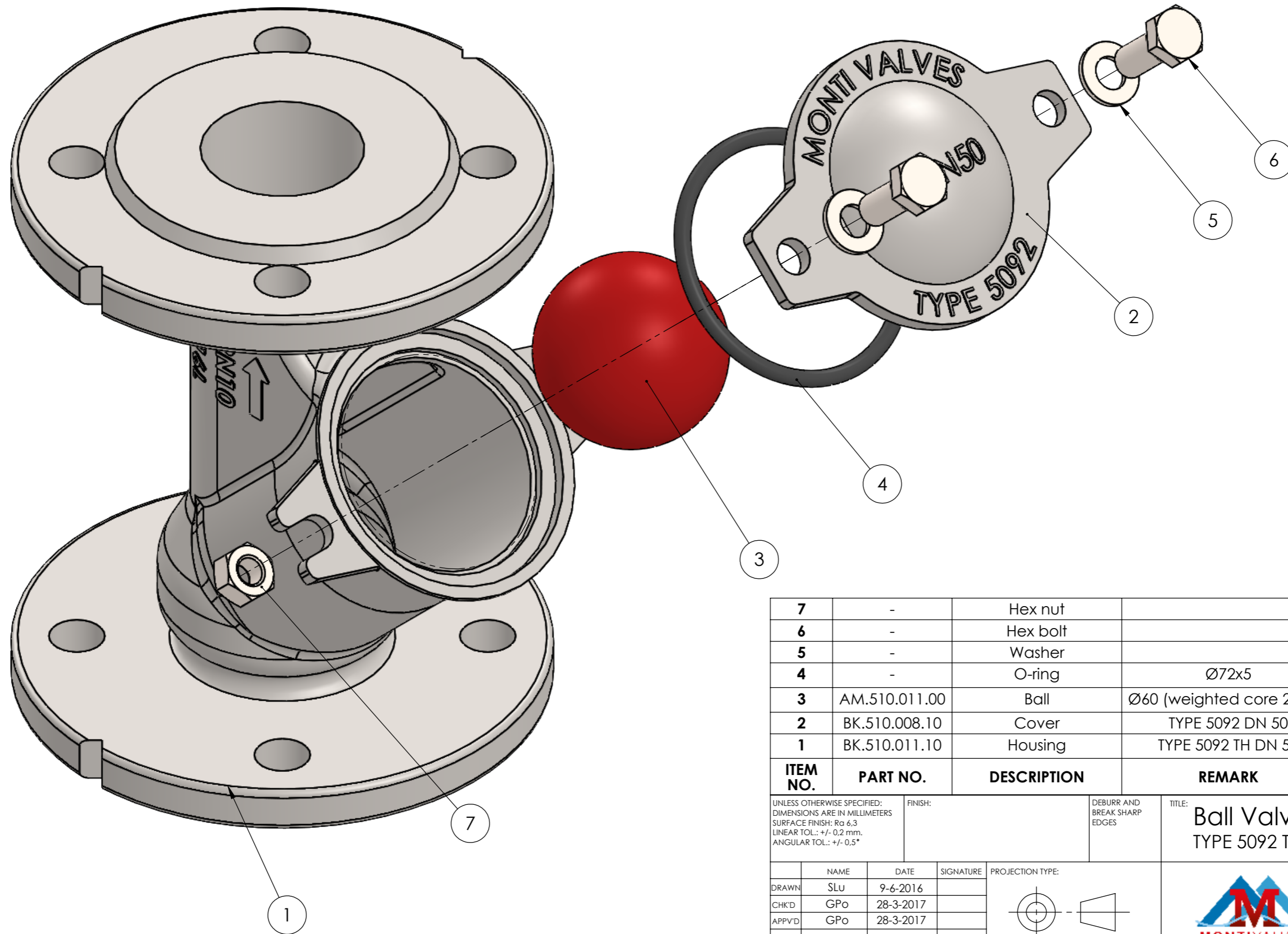
MASS: 6,79 kg

Oostgouweweg 5  
2407 AD Alphen a/d Rijn  
The Netherlands  
Phone: (+31)172 - 494965  
Fax: (+31)172 - 494969

DWG NO.	<b>BK.500.005.00</b>	A3
SCALE:2:5	DO NOT SCALE DRAWING	REV. 0
		SHEET 1 OF 2

Filename:S:\BouwGroep\500.kleppen\BK - balkeerlep\BK.500.005.00 - Montivalve Balkeerlep DN50\BK.500.005.00

Filename: S:\BouwGroep\500.kleppen\BK - balkeerlep\BK.500.005.00 - Montivaive Balkeerlep DN50\BK.500.005.00



ITEM NO.	PART NO.	DESCRIPTION	REMARK	MATERIAL	QTY
7	-	Hex nut		AISI 316L	2
6	-	Hex bolt		AISI 316L	2
5	-	Washer		AISI 316L	2
4	-	O-ring	Ø72x5	NBR 70	1
3	AM.510.011.00	Ball	Ø60 (weighted core 250gr)	NBR	1
2	BK.510.008.10	Cover	TYPE 5092 DN 50	AISI 316L	1
1	BK.510.011.10	Housing	TYPE 5092 TH DN 50	AISI 316L	1

UNLESS OTHERWISE SPECIFIED:  
 DIMENSIONS ARE IN MILLIMETERS  
 SURFACE FINISH: Ra 6.3  
 LINEAR TOL.: +/- 0.2 mm.  
 ANGULAR TOL.: +/- 0.5°

FINISH:

DEBURR AND BREAK SHARP EDGES

TITLE: **Ball Valve**  
 TYPE 5092 TH DN 50

	NAME	DATE	SIGNATURE
DRAWN	SLU	9-6-2016	
CHK'D	GPo	28-3-2017	
APPV'D	GPo	28-3-2017	
MFG	-	-	
Q.A	-	-	
	Last saved	14-11-2019	

PROJECTION TYPE:

MATERIAL: Misc.

Oostgouweweg 5  
 2407 AD Alphen a/d Rijn  
 The Netherlands  
 Phone: (+31)172 - 494965  
 Fax: (+31)172 - 494969

DWG NO. BK.500.005.00

A3

PROJECT NAME: Ball checkvalve TYPE 5092 TH DN 50

MASS: 6,79 kg

SCALE: 1:2 DO NOT SCALE DRAWING

REV. 0

SHEET 2 OF 2