

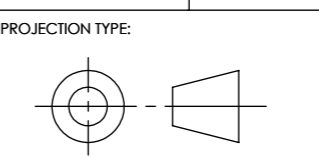
UNLESS OTHERWISE SPECIFIED:  
 DIMENSIONS ARE IN MILLIMETERS  
 SURFACE FINISH: Ra 6,3  
 LINEAR TOL.: +/- 0,2 mm.  
 ANGULAR TOL.: +/- 0,5°

FINISH:

DEBURR AND  
 BREAK SHARP  
 EDGES

TITLE:  
**Ball Valve**  
 Type 5092 DN250 - AISI 316L

	NAME	DATE	SIGNATURE
DRAWN	-	4-11-2019	
CHK'D	GPo	00-00-0000	
APPV'D	GPo	00-00-0000	
MFG	-	-	
Q.A	-	-	
	Last saved	10-12-2019	
PROJECT NAME: -			



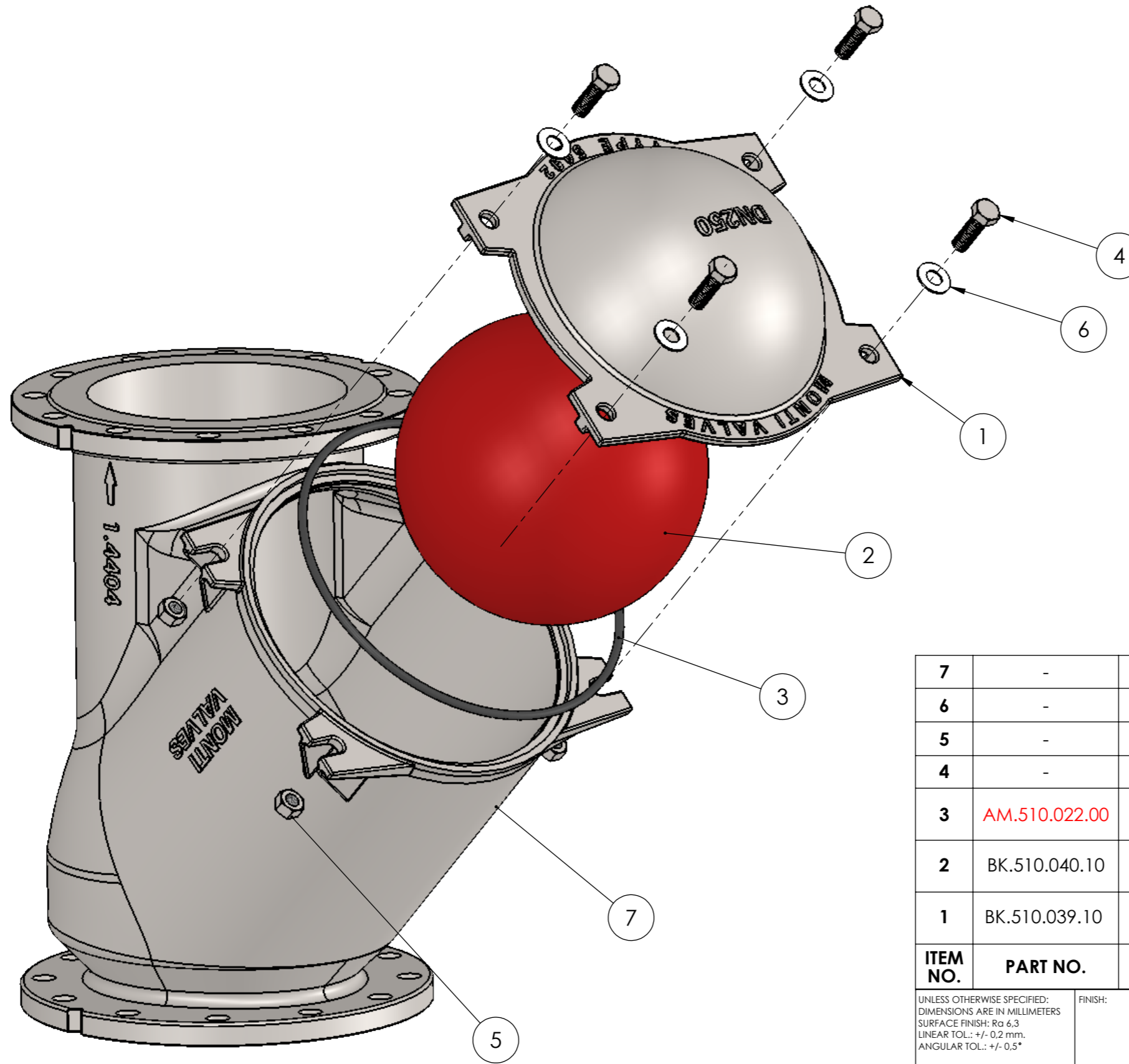
MATERIAL:  
-

MASS: -

Oostgouweweg 5  
 2407 AD Alphen a/d Rijn  
 The Netherlands  
 Phone: (+31)172 - 494965  
 Fax: (+31)172 - 494969

DWG NO. <b>BK.500.017.00</b>	A3
SCALE:1:7	DO NOT SCALE DRAWING
REV. 0	SHEET 1 OF 2

File name: S:\BouwGroep\500.kleppen\BK - balkeerlep\BK.510.017.00 - Montivaive Balkeerlep DN 250\BK.500.017.00



ITEM NO.	PART NO.	DESCRIPTION	REMARK	MATERIAL	QTY
7	-	Washer	M16 DIN125 A	AISI 316L	4
6	-	Hex Nut	M16 DIN934	AISI 316L	4
5	-	Hex Bolt	M16 DIN933	AISI 316L	4
4	-	O-ring	Ø 332x8	NBR 70	1
3	AM.510.022.00	Ball	Ø 300	NBR	1
2	BK.510.040.10	Cover	Type 5092 DN250	AISI 316L	1
1	BK.510.039.10	Housing	Type 5092 DN250	AISI 316L	1

UNLESS OTHERWISE SPECIFIED:  
 DIMENSIONS ARE IN MILLIMETERS  
 SURFACE FINISH: Ra 6,3  
 LINEAR TOL.: +/- 0,2 mm.  
 ANGULAR TOL.: +/- 0,5°

FINISH:

DEBURR AND BREAK SHARP EDGES

TITLE: **Ball Valve**  
 Type 5092 DN250 - AISI 316L

NAME	DATE	SIGNATURE	PROJECTION TYPE:
DRAWN -	4-11-2019		
CHK'D GPo	00-00-0000		
APPV'D GPo	00-00-0000		
MFG -	-		
Q.A -	-		
Last saved	10-12-2019		

MATERIAL: -

PROJECT NAME: -

MASS: -

Oostgouweweg 5  
 2407 AD Alphen a/d Rijn  
 The Netherlands  
 Phone: (+31)172 - 494965  
 Fax: (+31)172 - 494969

**MONTIVALVES**

DWG NO. BK.500.017.00

SCALE:1:7 DO NOT SCALE DRAWING

A3

REV. 0

SHEET 2 OF 2

File name: S:\BouwGroep\500.kleppen\BK - balkeerlep\BK.510.017.00 - Montivaive Balkeerlep DN 250\BK.500.017.00