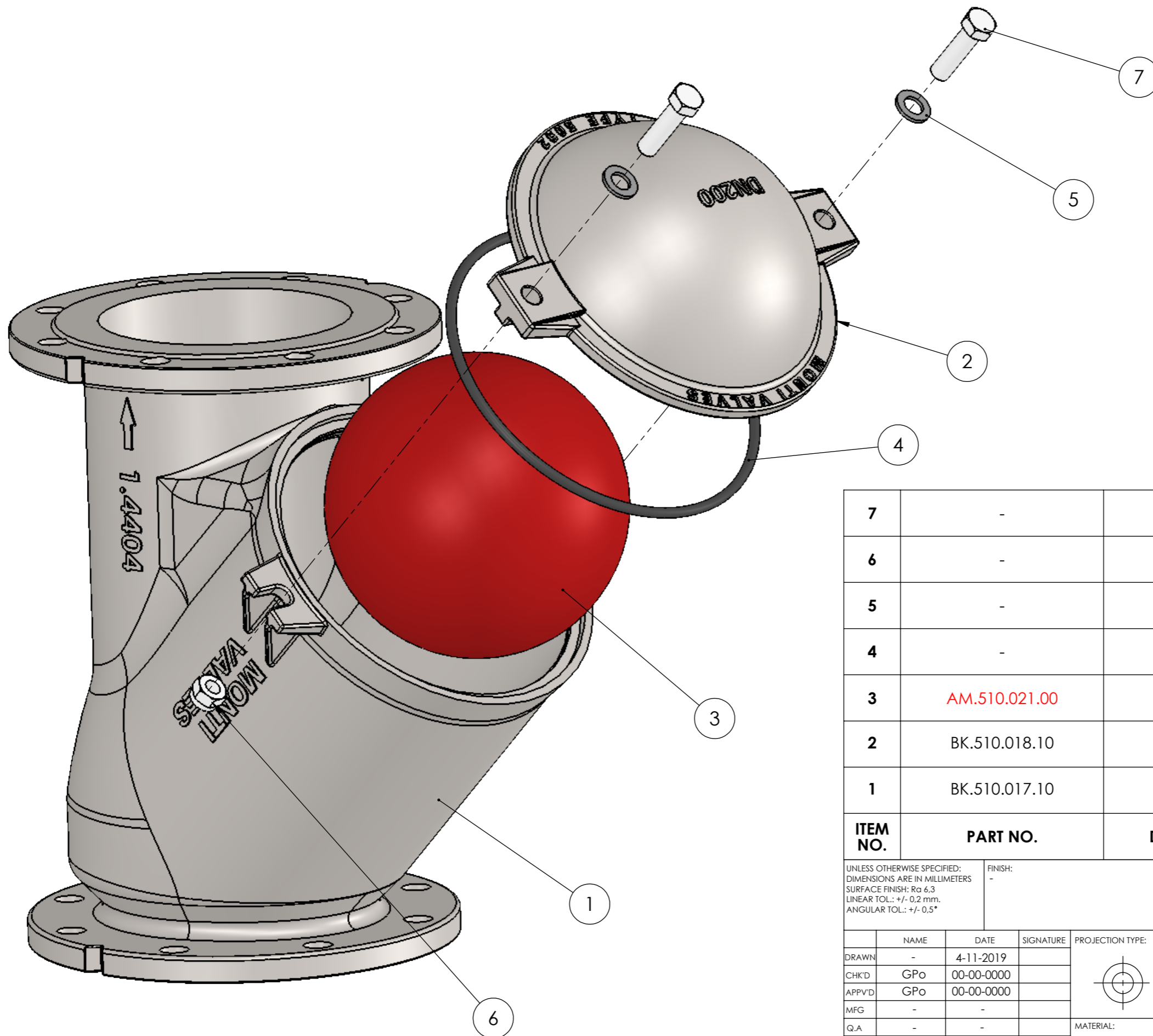


UNLESS OTHERWISE SPECIFIED: DIMENSIONS ARE IN MILLIMETERS SURFACE FINISH: Ra 6,3 LINEAR TOL.: +/- 0,2 mm. ANGULAR TOL.: +/- 0,5°				FINISH: -		DEBURR AND BREAK SHARP EDGES		TITLE: Ball Valve Type 5092 DN200 - AISI 316L	
DRAWN: - 4-11-2019				SIGNATURE:					
CHK'D: GPo 00-00-0000				PROJECT NAME:					
APPV'D: GPo 00-00-0000				MATERIAL:		DWG NO.		A3	
MFG: - -				PROJECT NAME:		SCALE:1:6		DO NOT SCALE DRAWING	
Q.A: - -				PROJECT NAME:		REVISION:		SHEET 1 OF 2	
Last saved 10-12-2019				PROJECT NAME:		REVISION:		SHEET 1 OF 2	
-				PROJECT NAME:		REVISION:		SHEET 1 OF 2	
				MASS: 132,48 kg		SCALE:1:6		DO NOT SCALE DRAWING	
						SCALE:1:6		DO NOT SCALE DRAWING	

File name: S:\BouwGroep\500.kleppen\BK - balkeerlep\BK - balkeerlep\BK.500.019.00 - Montivaive Balkeerlep DN200.BK.500.019.00



7	-	Hex Bolt	M16 DIN934	AISI 316L	2
6	-	Hex Nut	M16 DIN933	AISI 316L	2
5	-	Washer	M16 DIN 125A	AISI 316L	2
4	-	O-Ring	Ø262 x 8	NBR 70	1
3	AM.510.021.00	Ball	Ø240	NBR	1
2	BK.510.018.10	Cover	Typr 5092 DN 200	AISI 316L	1
1	BK.510.017.10	Housing	Typr 5092 DN 200	AISI 316L	1
ITEM NO.	PART NO.	DESCRIPTION	REMARK	MATERIAL	QTY

UNLESS OTHERWISE SPECIFIED:
 DIMENSIONS ARE IN MILLIMETERS
 SURFACE FINISH: Ra 6,3
 LINEAR TOL.: +/- 0,2 mm.
 ANGULAR TOL.: +/- 0,5°

FINISH: -

DEBURR AND BREAK SHARP EDGES

TITLE: **Ball Valve**
 Type 5092 DN200 - AISI 316L

NAME	DATE	SIGNATURE	PROJECTION TYPE:
DRAWN -	4-11-2019		
CHK'D GPo	00-00-0000		
APPV'D GPo	00-00-0000		
MFG -	-		
Q.A -	-		
Last saved	10-12-2019		

MATERIAL: -

MASS: 132,48 kg

Oostgouweweg 5
 2407 AD Alphen a/d Rijn
 The Netherlands
 Phone: (+31)172 - 494965
 Fax: (+31)172 - 494969

DWG NO. **BK.500.019.00**

SCALE: 1:6 DO NOT SCALE DRAWING

A3

REV. 0

SHEET 2 OF 2

File name: S:\BouwGroep_500.kleppen\BK - balkeerlep\BK.500.019.00 - Montivaive Balkeerlep DN200.BK.500.019.00