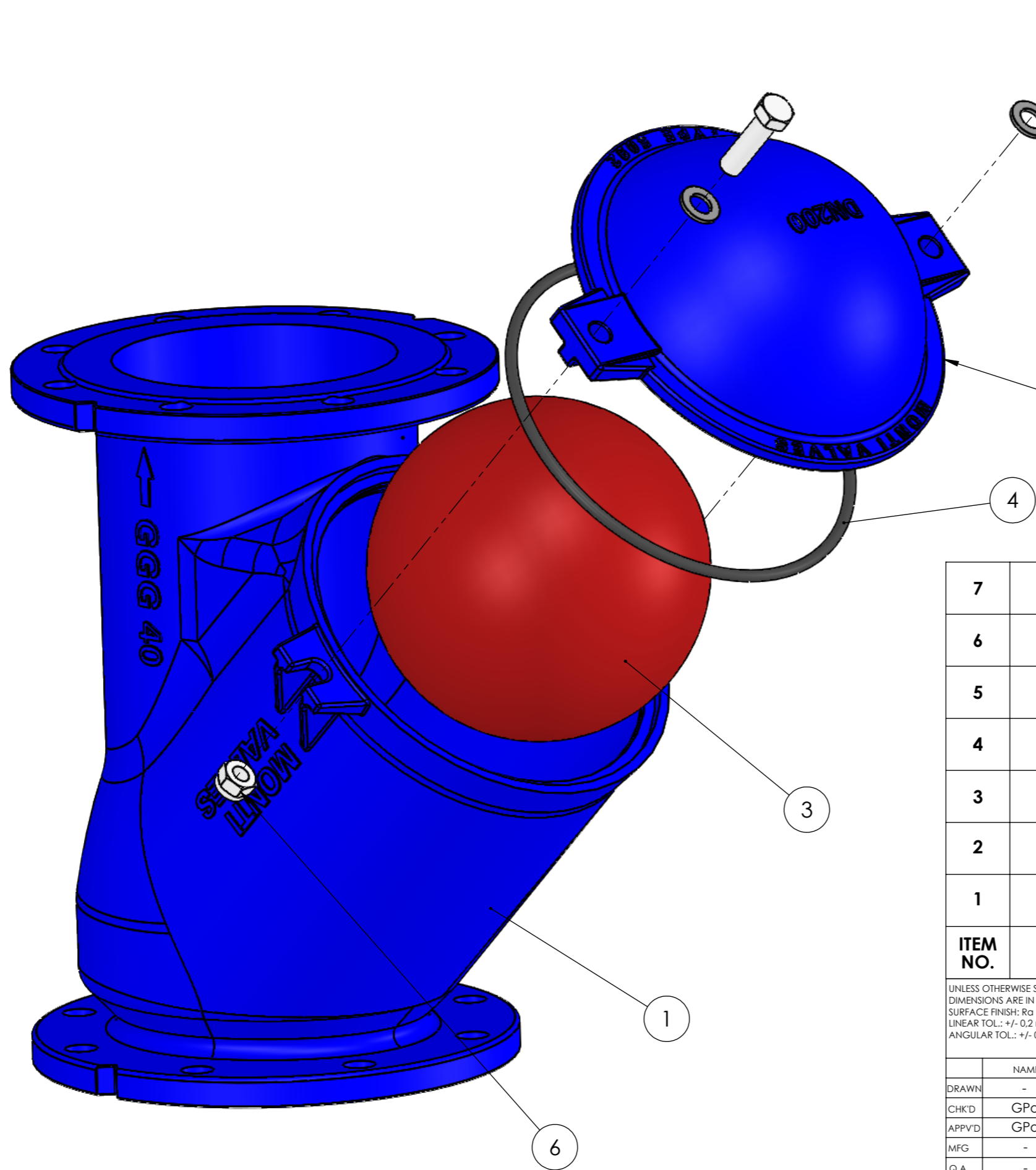


UNLESS OTHERWISE SPECIFIED: DIMENSIONS ARE IN MILLIMETERS SURFACE FINISH: Ra 6,3 LINEAR TOL.: +/- 0,2 mm. ANGULAR TOL.: +/- 0,5°				FINISH: -	DEBURR AND BREAK SHARP EDGES	TITLE: Ball Valve Type 5092 DN200 - GGG 40																													
<table border="1"> <thead> <tr> <th></th> <th>NAME</th> <th>DATE</th> <th>SIGNATURE</th> </tr> </thead> <tbody> <tr> <td>DRAWN</td> <td>-</td> <td>4-11-2019</td> <td></td> </tr> <tr> <td>CHK'D</td> <td>GPo</td> <td>00-00-0000</td> <td></td> </tr> <tr> <td>APP'VD</td> <td>GPo</td> <td>00-00-0000</td> <td></td> </tr> <tr> <td>MFG</td> <td>-</td> <td>-</td> <td></td> </tr> <tr> <td>Q.A</td> <td>-</td> <td>-</td> <td></td> </tr> <tr> <td></td> <td>Last saved</td> <td>10-12-2019</td> <td></td> </tr> </tbody> </table>					NAME	DATE	SIGNATURE	DRAWN	-	4-11-2019		CHK'D	GPo	00-00-0000		APP'VD	GPo	00-00-0000		MFG	-	-		Q.A	-	-			Last saved	10-12-2019				<p>Oostgouweweg 5 2407 AD Alphen a/d Rijn The Netherlands Phone: (+31)172 - 494965 Fax: (+31)172 - 494969</p>	
	NAME	DATE	SIGNATURE																																
DRAWN	-	4-11-2019																																	
CHK'D	GPo	00-00-0000																																	
APP'VD	GPo	00-00-0000																																	
MFG	-	-																																	
Q.A	-	-																																	
	Last saved	10-12-2019																																	
PROJECT NAME: -				MATERIAL:		DWG NO. BK.500.008.00	A3																												
				MASS: 68,02 kg		SCALE:1:6	DO NOT SCALE DRAWING																												
						REV. 0	SHEET 1 OF 2																												

File name: S:\BouwGroep\500.kleppen\BK - balkeerlep\BK - balkeerlep\BK.500.008.00 - Montivaive Balkeerlep DN200.BK.500.008.00

File name: S:\BouwGroep\500.kleppen\BK - balkeerlep\BK.500.008.00 - Montivaive Balkeerlep DN200\BK.500.008.00



7	-	Hex Bolt	M16 DIN934	AISI 316L	2
6	-	Hex Nut	M16 DIN933	AISI 316L	2
5	-	Washer	M16 DIN 125A	AISI 316L	2
4	-	O-Ring	Ø262 x 8	NBR 70	1
3	AM.510.021.00	Ball	Ø240	NBR	1
2	BK.510.018.10	Cover	Typr 5092 DN 200	GGG 40	1
1	BK.510.017.10	Housing	Typr 5092 DN 200	GGG 40	1
ITEM NO.	PART NO.	DESCRIPTION	REMARK	MATERIAL	QTY

UNLESS OTHERWISE SPECIFIED:
DIMENSIONS ARE IN MILLIMETERS
SURFACE FINISH: Ra 6,3
LINEAR TOL.: +/- 0,2 mm.
ANGULAR TOL.: +/- 0,5°

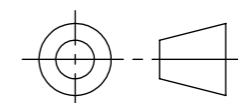
FINISH:
-

DEBURR AND
BREAK SHARP
EDGES

TITLE:
Ball Valve
Type 5092 DN200 - GGG 40

	NAME	DATE	SIGNATURE
DRAWN	-	4-11-2019	
CHK'D	GPo	00-00-0000	
APPV'D	GPo	00-00-0000	
MFG	-	-	
Q.A	-	-	
	Last saved	10-12-2019	

PROJECTION TYPE:



MATERIAL:

-

PROJECT NAME:

-

MASS: 68,02 kg

DWG NO.

BK.500.008.00

A3

SCALE:1:6

DO NOT SCALE DRAWING

REV. 0

SHEET 2 OF 2

Oostgouweweg 5
2407 AD Alphen a/d Rijn
The Netherlands
Phone: (+31)172 - 494965
Fax: (+31)172 - 494969

