

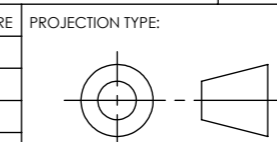
UNLESS OTHERWISE SPECIFIED:
DIMENSIONS ARE IN MILLIMETERS
SURFACE FINISH: Ra 6,3
LINEAR TOL.: +/- 0,2 mm.
ANGULAR TOL.: +/- 0,5°

FINISH:

DEBURR AND
BREAK SHARP
EDGES

TITLE: **Ball Valve**
Type 5092 DN150 - AISI 316L

	NAME	DATE	SIGNATURE
DRAWN		29-5-2019	
CHK'D	GPo	00-00-0000	
APPV'D	GPo	00-00-0000	
MFG	-	-	
Q.A	-	-	
	Last saved	12-12-2019	
PROJECT NAME:			
-			



MATERIAL:

MASS: kg

Oostgouweweg 5
2407 AD Alphen a/d Rijn
The Netherlands
Phone: (+31)172 - 494965
Fax: (+31)172 - 494969

DWG NO. **BK.500.020.00**

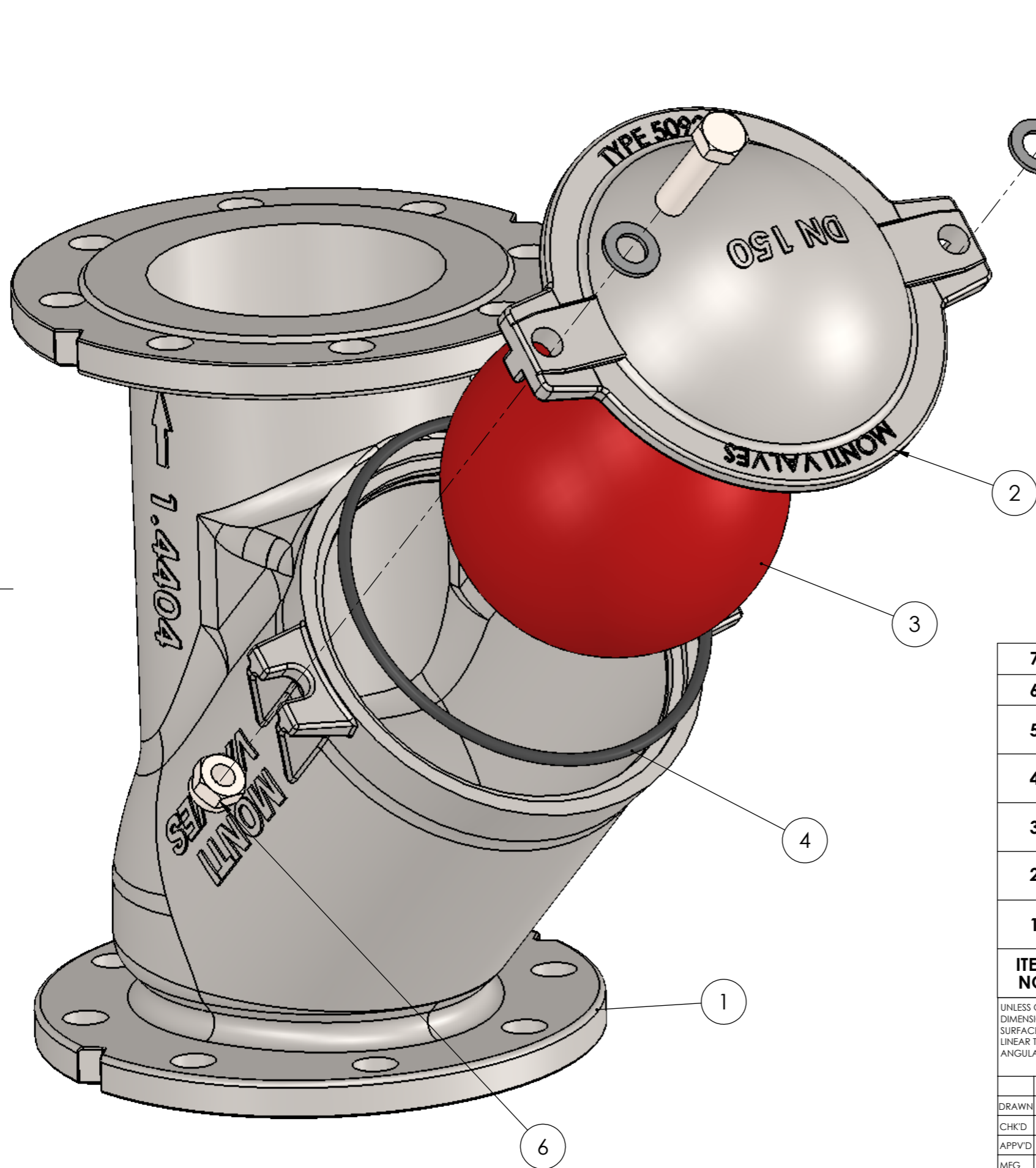
A3

REV. 0

SCALE:1:4.5 DO NOT SCALE DRAWING

SHEET 1 OF 2

File name: S:\BouwGroep\500.kleppen\BK - balkeerlep\BK.500.020.00 - Montivaive Balkeerlep DNI 50\BK.500.020.00



ITEM NO.	PART NO.	DESCRIPTION	REMARK	MATERIAL	QTY
7	-	O-Ring	Ø 190x6	NBR 70	1
6	-	Bolt	M16 DIN 933	AISI 316L	2
5	-	Nut	M16 DIN 934	AISI 316L	2
4	-	Washer	DIN 125 A	AISI 316L	2
3	AM.510.020.00	Ball	Ø 175	NBR	1
2	BK.510.016.10	Cover	Type 5092 DN150	AISI 316L	1
1	BK.510.015.10	Ball Check Valve	TYPE 5092 DN150	AISI 316L	1

UNLESS OTHERWISE SPECIFIED:
 DIMENSIONS ARE IN MILLIMETERS
 SURFACE FINISH: Ra 6,3
 LINEAR TOL.: +/- 0,2 mm.
 ANGULAR TOL.: +/- 0,5°

FINISH:

DEBURR AND BREAK SHARP EDGES

TITLE: **Ball Valve**
 Type 5092 DN150 - AISI 316L

NAME	DATE	SIGNATURE	PROJECTION TYPE:
DRAWN	29-5-2019		
CHK'D	GPo	00-00-0000	
APPV'D	GPo	00-00-0000	
MFG	-	-	
Q.A	-	-	
Last saved	12-12-2019		

MATERIAL:

PROJECT NAME:

MASS: kg

Oostgouweweg 5
 2407 AD Alphen a/d Rijn
 The Netherlands
 Phone: (+31)172 - 494965
 Fax: (+31)172 - 494969

MONTIVALVES

DWG NO. **BK.500.020.00**

SCALE:1:3 DO NOT SCALE DRAWING

A3

REV. 0

SHEET 2 OF 2