

UNLESS OTHERWISE SPECIFIED:
DIMENSIONS ARE IN MILLIMETERS
SURFACE FINISH: Ra 6,3
LINEAR TOL.: +/- 0,2 mm.
ANGULAR TOL.: +/- 0,5°

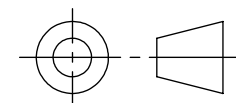
FINISH:

DEBURR AND
BREAK SHARP
EDGES

TITLE: **Ball Valve**
Type 5092 DN125 - AISI 316L

	NAME	DATE	SIGNATURE
DRAWN		12-11-2019	
CHK'D	GPo	00-00-0000	
APPV'D	GPo	00-00-0000	
MFG	-	-	
Q.A	-	-	
	Last saved	10-12-2019	
PROJECT NAME:			
-			

PROJECTION TYPE:



MATERIAL:

MASS: kg



Oostgouweweg 5
2407 AD Alphen a/d Rijn
The Netherlands
Phone: (+31)172 - 494965
Fax: (+31)172 - 494969

DWG NO.

BK.500.013.00

A3

SCALE:1:5

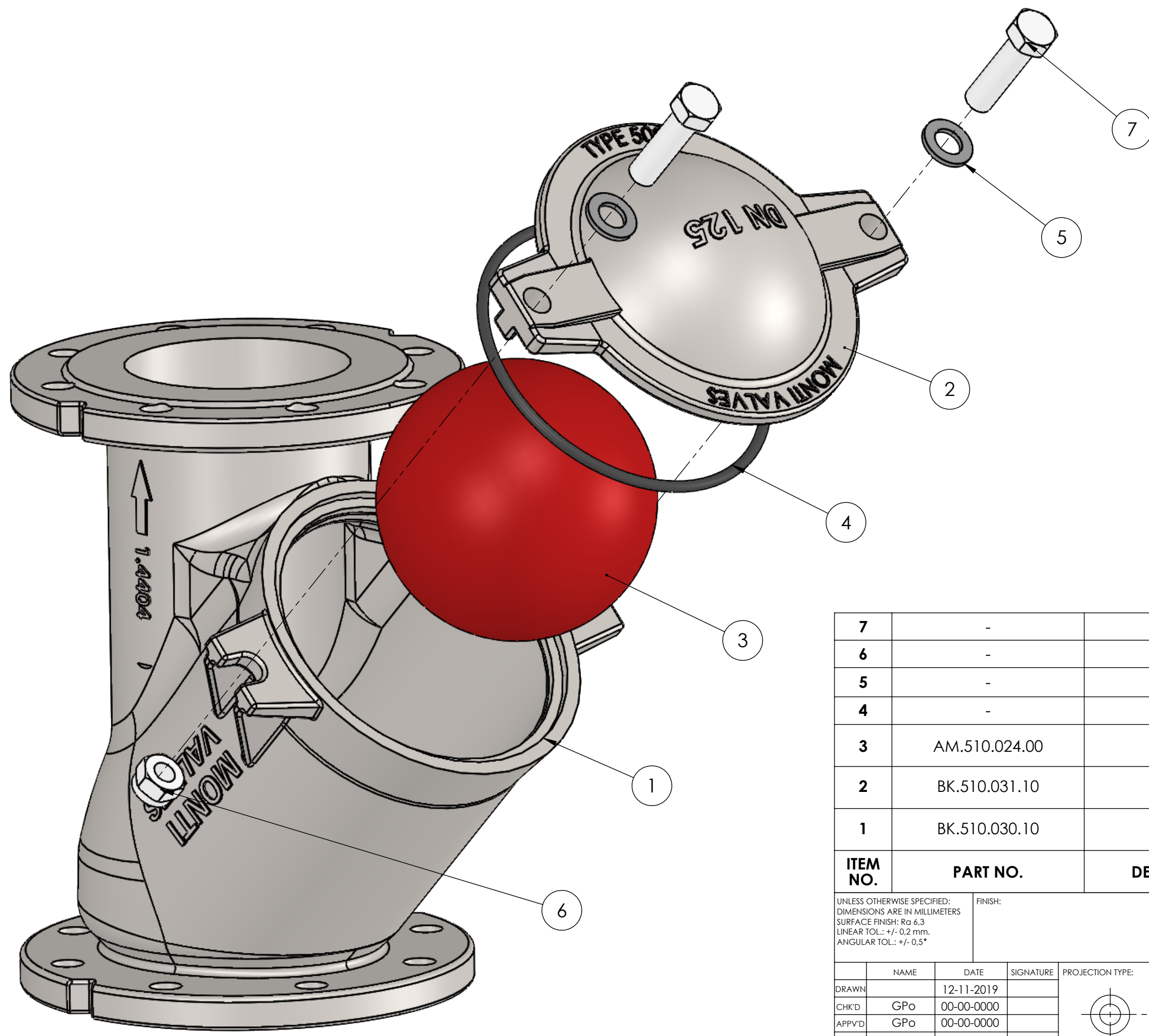
DO NOT SCALE DRAWING

REV. 0

SHEET 1 OF 2

File name: S:\BouwGroep\500.kleppen\BK - balkeerlep\BK - balkeerlep\BK.500.013.00 - Montivalve Balkeerlep DN125 AISI 316L\BK.500.013.00

File name: S:\BouwGroep\500.kleppen\BK - balkeerlep\BK.500.013.00 - Montivaive Balkeerlep DN125 AISI 316L\BK.500.013.00



ITEM NO.	PART NO.	DESCRIPTION	REMARK	MATERIAL	QTY
7	-	Hex Bolt	M16 DIN 933	AISI 316L	2
6	-	Hex Nut	M16 DIN 934	AISI 316L	2
5	-	Washer	DIN125A	AISI 316L	2
4	-	O-Ring	Ø 170x6	NBR 70	1
3	AM.510.024.00	Ball	Ø 155	NBR	1
2	BK.510.031.10	Cover	Type 5092 DN125	AISI 316L	1
1	BK.510.030.10	Housing	Type 5092 DN125	GGG 40	1

UNLESS OTHERWISE SPECIFIED:
 DIMENSIONS ARE IN MILLIMETERS
 SURFACE FINISH: Ra 6,3
 LINEAR TOL.: +/- 0,2 mm.
 ANGULAR TOL.: +/- 0,5°

FINISH:

DEBURR AND BREAK SHARP EDGES

TITLE: **Ball Valve**
Type 5092 DN125 - AISI 316L

NAME	DATE	SIGNATURE
DRAWN	12-11-2019	
CHK'D	GPo 00-00-0000	
APPV'D	GPo 00-00-0000	
MFG	-	-
Q.A	-	-
Last saved	10-12-2019	

PROJECTION TYPE:

MATERIAL:

PROJECT NAME: -

MASS: kg

Oostgouweweg 5
 2407 AD Alphen a/d Rijn
 The Netherlands
 Phone: (+31)172 - 494965
 Fax: (+31)172 - 494969

MONTIVALVES

DWG NO. **BK.500.013.00**

SCALE: 1:5 DO NOT SCALE DRAWING

A3

REV. 0

SHEET 2 OF 2