

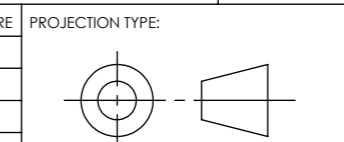
UNLESS OTHERWISE SPECIFIED:
DIMENSIONS ARE IN MILLIMETERS
SURFACE FINISH: Ra 6,3
LINEAR TOL.: +/- 0,2 mm.
ANGULAR TOL.: +/- 0,5°

FINISH:

DEBURR AND
BREAK SHARP
EDGES

TITLE:
Ball Valve
Type 5092 DN100 - GGG 40

	NAME	DATE	SIGNATURE
DRAWN	-	29-5-2019	
CHK'D	GPo	00-00-0000	
APPV'D	GPo	00-00-0000	
MFG	-	-	
Q.A	-	-	
	Last saved	28-11-2019	



MATERIAL:
Misc.



Oostgouweweg 5
2407 AD Alphen a/d Rijn
The Netherlands
Phone: (+31)172 - 494965
Fax: (+31)172 - 494969

PROJECT NAME:
-

MASS: 19,83 kg

DWG NO.
BK.500.006.00

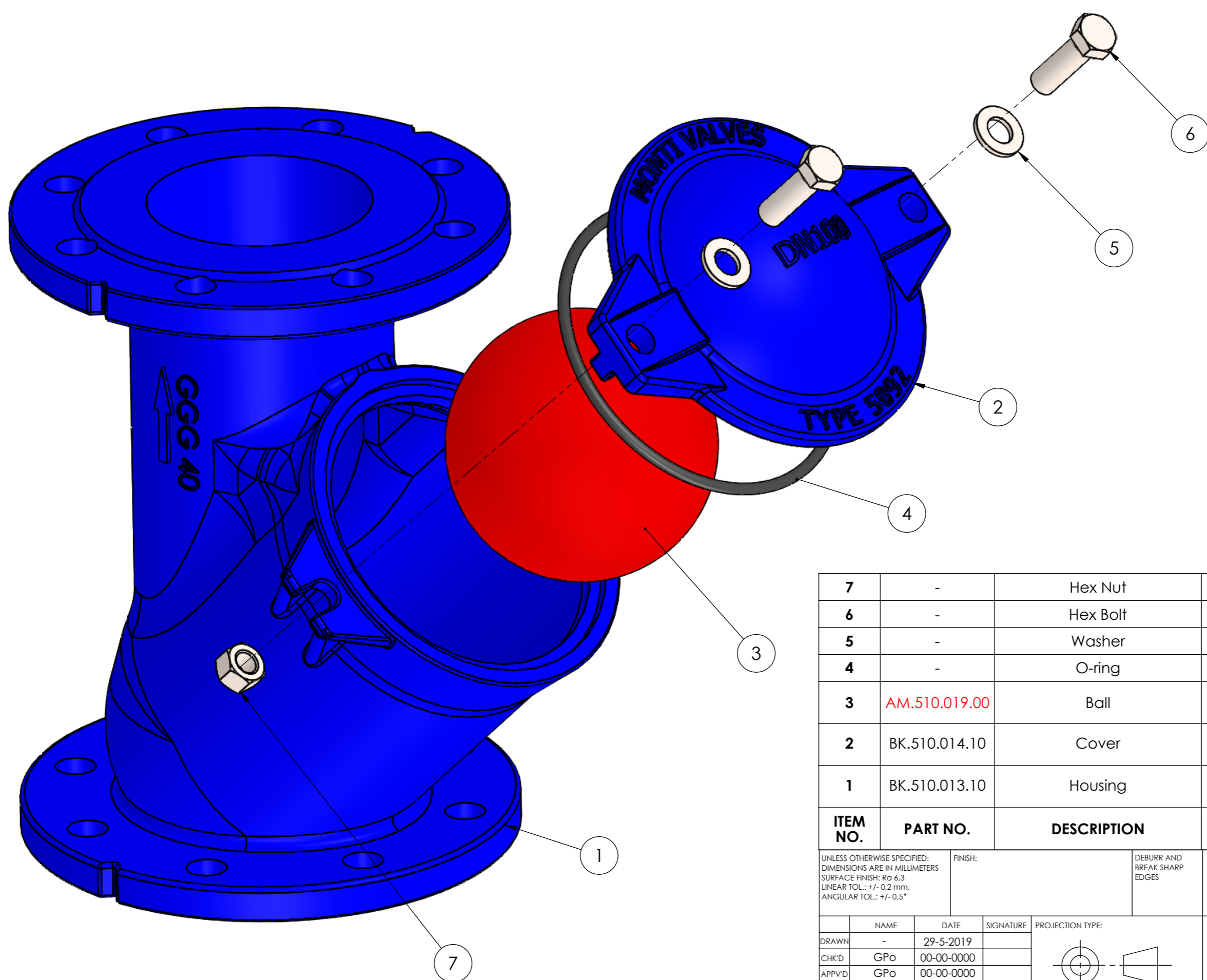
A3

SCALE:1:3,5 DO NOT SCALE DRAWING

REV. 0
SHEET 1 OF 2

File name: S:\BouwGroep\500.kleppen\BK - balkeerlep\BK.500.006.00 - Montivaive Balkeerlep DN100\BK.500.006.00

Filename: S:\BouwGroep\500.kleppen\BK - balkeerlep\BK.500.006.00 - Montivaive Balkeerlep DN100\BK.500.006.00



7	-	Hex Nut	M12 DIN 934	AISI 316L	2
6	-	Hex Bolt	M12 DIN 933	AISI 316L	2
5	-	Washer	DIN 125 - A 13	AISI 316L	2
4	-	O-ring	∅ 135x5	NBR 70	1
3	AM.510.019.00	Ball	∅ 120	NBR	1
2	BK.510.014.10	Cover	Type 5092 DN100	GGG 40	1
1	BK.510.013.10	Housing	Type 5092 DN100	GGG 40	1
ITEM NO.	PART NO.	DESCRIPTION	REMARK	MATERIAL	QTY

UNLESS OTHERWISE SPECIFIED:
 DIMENSIONS ARE IN MILLIMETERS
 SURFACE FINISH: Ra 6.3
 LINEAR TOL.: +/- 0.2 mm.
 ANGULAR TOL.: +/- 0.5°

FINISH:

DEBURR AND BREAK SHARP EDGES

TITLE: **Ball Valve**
 Type 5092 DN100 - GGG 40

NAME	DATE	SIGNATURE
DRAWN	-	29-5-2019
CHK'D	GPo	00-00-0000
APPV'D	GPo	00-00-0000
MFG	-	-
Q.A	-	-
Last saved	28-11-2019	

PROJECTION TYPE:

MATERIAL: Misc.

PROJECT NAME: -

MASS: 19,83 kg

Oostgouweweg 5
 2407 AD Alphen a/d Rijn
 The Netherlands
 Phone: (+31)172 - 494965
 Fax: (+31)172 - 494969

MONTIVALVES

DWG NO. BK.500.006.00

A3

REV. 0

SCALE:2:5 DO NOT SCALE DRAWING

SHEET 2 OF 2