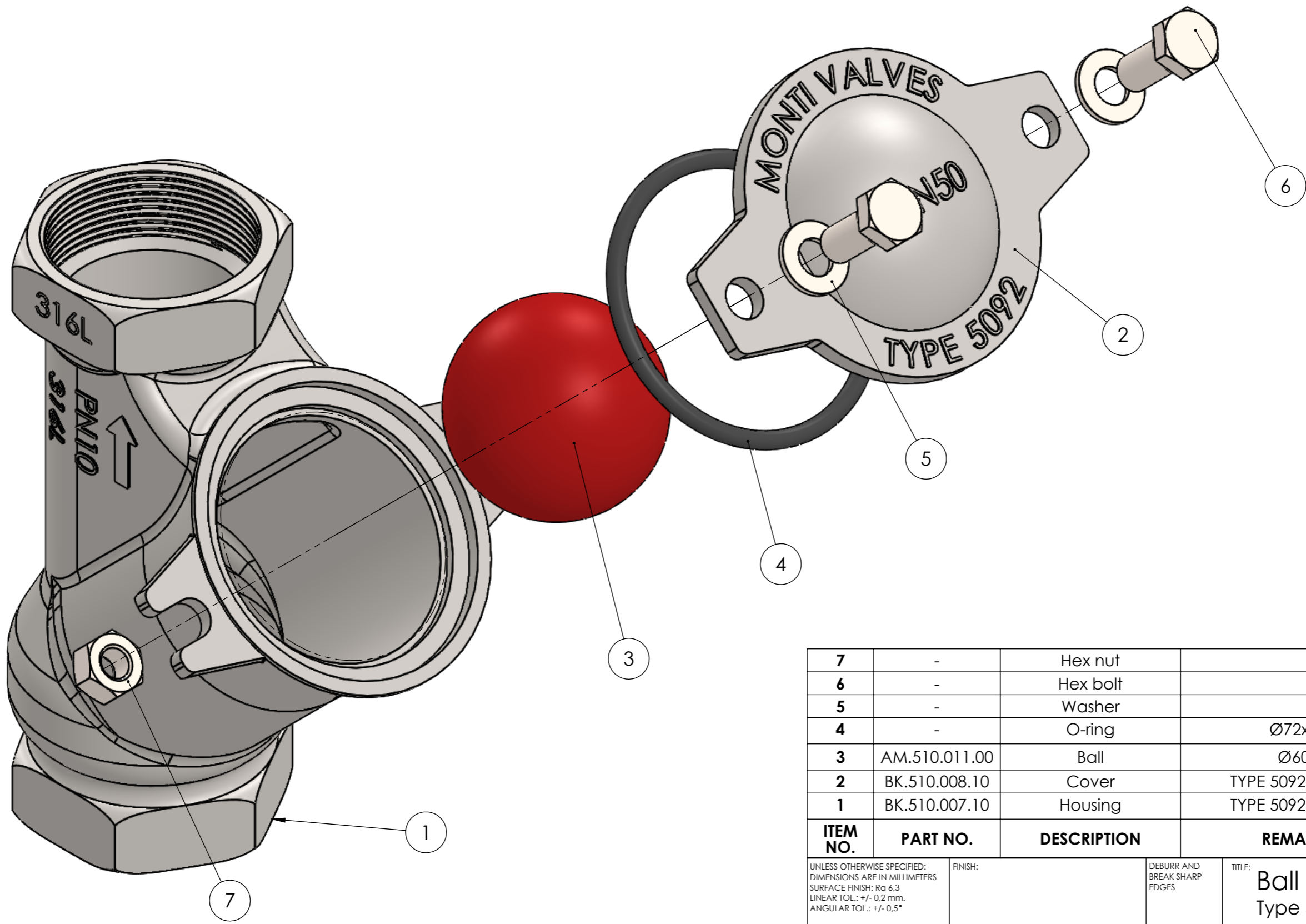


UNLESS OTHERWISE SPECIFIED: DIMENSIONS ARE IN MILLIMETERS SURFACE FINISH: Ra 6,3 LINEAR TOL.: +/- 0,2 mm. ANGULAR TOL.: +/- 0,5°				FINISH:	DEBURR AND BREAK SHARP EDGES	TITLE: Ball Valve Type 5092 2 inch - AISI 316L	
	NAME	DATE	SIGNATURE	PROJECTION TYPE: 		 Oostgouweweg 5 2407 AD Alphen a/d Rijn The Netherlands Phone: (+31)172 - 494965 Fax: (+31)172 - 494969	
DRAWN	SLU	9-6-2016					
CHK'D	GPo	09-06-2016					
APPV'D	GPo	09-06-2016					
MFG	-	-					
Q.A	-	-		MATERIAL: Misc.		DWG NO. BK.500.003.00	A3
Last saved				14-11-2019		SCALE:1:2	DO NOT SCALE DRAWING
PROJECT NAME: Ball checkvalve TYPE 5092 TH DN 50				MASS: 2,33 kg			REV. B
							SHEET 1 OF 2

File name: S:\BouwGroep\500.kleppen\BK - balkeerlep\BK - balkeerlep\BK.500.003.00 - Montivalve Balkeerlep DN50-2 inch\BK.500.003.00



ITEM NO.	PART NO.	DESCRIPTION	REMARK	MATERIAL	QTY
7	-	Hex nut		AISI 316L	2
6	-	Hex bolt		AISI 316L	2
5	-	Washer		AISI 316L	2
4	-	O-ring	Ø72x5	NBR 70	1
3	AM.510.011.00	Ball	Ø60	NBR	1
2	BK.510.008.10	Cover	TYPE 5092 DN 50	AISI 316L	1
1	BK.510.007.10	Housing	TYPE 5092 DN 50	AISI 316L	1

UNLESS OTHERWISE SPECIFIED:
 DIMENSIONS ARE IN MILLIMETERS
 SURFACE FINISH: Ra 6,3
 LINEAR TOL.: +/- 0,2 mm.
 ANGULAR TOL.: +/- 0,5°

FINISH:

DEBURR AND BREAK SHARP EDGES

TITLE: **Ball Valve**
Type 5092 2 inch - AISI 316L

NAME	DATE	SIGNATURE	PROJECTION TYPE:
DRAWN: SLU	9-6-2016		
CHK'D: GPo	09-06-2016		
APPV'D: GPo	09-06-2016		
MFG: -	-		
Q.A: -	-		
Last saved	14-11-2019		

MATERIAL: Misc.

PROJECT NAME: Ball checkvalve TYPE 5092 TH DN 50

MASS: 2,33 kg

Oostgouweweg 5
 2407 AD Alphen a/d Rijn
 The Netherlands
 Phone: (+31)172 - 494965
 Fax: (+31)172 - 494969

MONTIVALVES

DWG NO. BK.500.003.00

A3

REV. B

SCALE:3:4 DO NOT SCALE DRAWING

SHEET 2 OF 2

File name: S:\BouwGroep\500.kleppen\BK - balkeerlep\BK.500.003.00 - Montivalve Balkeerlep DN50-2 inch\BK.500.003.00