

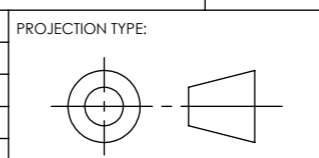
UNLESS OTHERWISE SPECIFIED:
 DIMENSIONS ARE IN MILLIMETERS
 SURFACE FINISH: Ra 6,3
 LINEAR TOL.: +/- 0,2 mm.
 ANGULAR TOL.: +/- 0,5°

FINISH:

DEBURR AND
 BREAK SHARP
 EDGES

TITLE: **Ball Valve**
 Type 5092 DN40 1 1/2 Inch - AISI 316L

	NAME	DATE	SIGNATURE
DRAWN	-	30-10-2019	
CHK'D	GPo	00-00-0000	
APPV'D	GPo	00-00-0000	
MFG	-	-	
Q.A	-	-	
	Last saved	14-11-2019	
PROJECT NAME: -			



MATERIAL:
Misc.

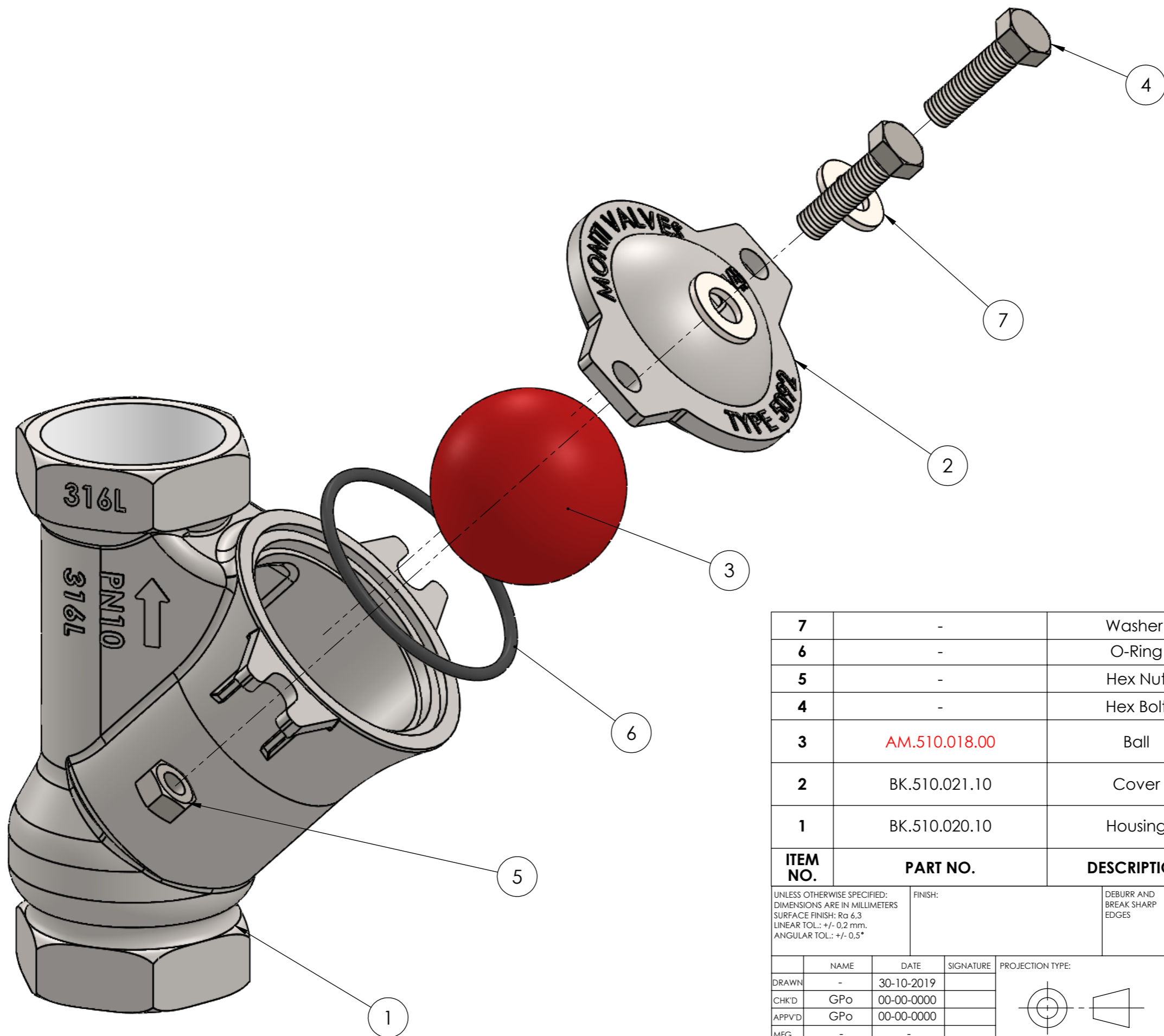
MASS: 1,60 kg

Oostgouweweg 5
 2407 AD Alphen a/d Rijn
 The Netherlands
 Phone: (+31)172 - 494965
 Fax: (+31)172 - 494969

DWG NO.	BK.500.010.00	A3
REV.	0	SHEET 1 OF 2
SCALE:3:4	DO NOT SCALE DRAWING	

File name: S:\BouwGroep\500.kleppen\BK - balkeerlep\BK - balkeerlep\BK.500.010.00 - Montivalve Balkeerlep DN40-1.5 inch\BK.500.010.00

Filename: S:\BouwGroep\500.kleppen\BK - balkeerlep\BK.500.010.00 - Montivaive Balkeerlep DN40-1.5 inch\BK.500.010.00



ITEM NO.	PART NO.	DESCRIPTION	REMARK	MATERIAL	QTY
7	-	Washer	DIN 125 - A 10.5	AISI 316L	2
6	-	O-Ring	Ø57 x 3	NBR 70	1
5	-	Hex Nut	M8 DIN 934	AISI 316L	2
4	-	Hex Bolt	M8 DIN 931	AISI 316L	2
3	AM.510.018.00	Ball	Ø 48mm	NBR	1
2	BK.510.021.10	Cover	TYPE 5092 TH DN 40	AISI 316L	1
1	BK.510.020.10	Housing	TYPE 5092 TH DN 40	AISI 316L	1

UNLESS OTHERWISE SPECIFIED:
 DIMENSIONS ARE IN MILLIMETERS
 SURFACE FINISH: Ra 6,3
 LINEAR TOL.: +/- 0,2 mm.
 ANGULAR TOL.: +/- 0,5°

FINISH:

DEBURR AND BREAK SHARP EDGES

TITLE: **Ball Valve**
 Type 5092 DN40 1 1/2 Inch - AISI 316L

NAME	DATE	SIGNATURE
DRAWN	-	30-10-2019
CHK'D	GPo	00-00-0000
APPV'D	GPo	00-00-0000
MFG	-	-
Q.A	-	-
Last saved	14-11-2019	

PROJECTION TYPE:

MATERIAL: Misc.

PROJECT NAME: -

MASS: 1,60 kg

Oostgouweweg 5
 2407 AD Alphen a/d Rijn
 The Netherlands
 Phone: (+31)172 - 494965
 Fax: (+31)172 - 494969

MONTIVALVES

DWG NO. BK.500.010.00

A3

REV. 0

SCALE:1:1 DO NOT SCALE DRAWING

SHEET 2 OF 2